



R08NB

**DATE: AUGUST 08, 2008**

**TO: U.S. DEALERS**

**SUBJECT: RECALL R08NB HYDRAULIC BRAKE HOSES CHAFING**

This notice is sent to you in accordance with the requirements of The National Traffic and Motor Vehicle Safety Act.

Blue Bird has decided that a defect which relates to motor vehicle safety exists on certain 2004 through 2009 model year Vision conventional school and non-school buses equipped with hydraulic brakes manufactured from January 11, 2004, through April 22, 2008.

On the subject buses, the hydraulic brake hoses connecting the master cylinder to the steel brake lines adjacent to the chassis frame rail may have been improperly routed or retained. Improper routing or retention of the hydraulic brake hoses may result in the hoses chafing against the bus body and/or chassis component. If chafing were to occur, a leak may develop in one or both of the hoses resulting in reduced braking capacity which could result in a vehicle crash.

Blue Bird is conducting a recall to correct this defect. Buses with the defect must be modified according to instructions provided with recall R08NB, copy enclosed.

If our records indicate affected buses were delivered in your service area, a printout identifying affected buses is enclosed. **Dealers should verify correct owners and assure that complete shipping addresses are provided for each listed vehicle.**

If you have in your possession or have sold a bus that was purchased from another distributor that may be affected by this recall, please notify me at 478-822-2242.

Labor time required to reroute and reposition hydraulic brake hoses is 0.3 hrs (18 minutes) per bus for buses with 21" hoses.

Labor time required to reroute and reposition hydraulic brake hoses is 0.7 hrs (42 minutes) per bus for buses with 39" hoses.

Labor time required to replace damaged hydraulic brake hoses and reroute and reposition hoses is 1.7 hours (1 hour, 42 minutes) per bus.

**BLUE BIRD CORPORATION**  
P.O. Box 937 • Fort Valley, Georgia 31030  
Phone: (478) 825-2021

Parts for Recall R08NB will be available beginning August 14, 2008.

Warranty applications may be submitted to Blue Bird ClaimTrac (use create campaign/bulletin claim).

Federal law requires that any vehicle lessor receiving this recall notice must forward a copy of this notice to the lessee within ten days.

Dealers are reminded of their responsibilities under section 154 of The National Traffic and Motor Vehicle Safety Act of 1991. Dealers are required to complete modifications on units in their inventory before delivering to the final owner. Reference Blue Bird Body Company Distributor Memo No. 42-92.

Questions regarding this recall campaign should be directed to me at (478) 822-2242.

Thank you,

A handwritten signature in cursive script that reads "Bill Coleman".

Bill Coleman  
Corporate Recall Administrator  
Blue Bird Corporation



BLUE BIRD

R08NB

August 08, 2008

Dear Blue Bird Owner:

This notice is sent to you in accordance with the requirements of the National Traffic and Motor Vehicle Safety Act.

Blue Bird has decided that a defect which relates to motor vehicle safety exists on certain 2004 through 2009 model year Vision conventional school and non-school buses equipped with hydraulic brakes manufactured from January 11, 2004, through April 22, 2008.

On the subject buses, the hydraulic brake hoses connecting the master cylinder to the steel brake lines adjacent to the chassis frame rail may have been improperly routed or retained. Improper routing or retention of the hydraulic brake hoses may result in the hoses chafing against the bus body and/or chassis component. If chafing were to occur, a leak may develop in one or both of the hoses resulting in reduced braking capacity which could result in a vehicle crash.

Blue Bird is conducting a recall to correct this defect. Buses with this defect must be modified according to the enclosed instructions for Recall R08NB.

Your Blue Bird bus(es) affected by this recall are identified by body serial number(s) on the enclosed reply sheets. If you no longer own the subject bus(es), please complete the appropriate section of the **pink** reply sheet and return to Blue Bird in the enclosed pink postage prepaid envelope.

**To receive parts required to correct this condition, you must return the yellow parts request sheet to Blue Bird in the pink self addressed postage prepaid envelope.**

A qualified technician should perform Recall R08NB or you may contact your Blue Bird dealer for assistance.

Labor time required to reroute and reposition hydraulic brake hoses is 0.3 hrs (18 minutes) per bus for buses with 21" hoses.

Labor time required to reroute and reposition hydraulic brake hoses is 0.7 hrs (42 minutes) per bus for buses with 39" hoses.

Labor time required to replace damaged hydraulic brake hoses and reroute and reposition hoses is 1.7 hours (1 hour, 42 minutes) per bus.

**BLUE BIRD CORPORATION**

P.O. Box 937 • Fort Valley, Georgia 31030

Phone: (478) 825-2021

Parts for Recall R08NB will be available beginning August 28, 2008.

Reimbursement for labor may be obtained by completing the **pink** request for reimbursement sheet provided and returning it to Blue Bird in the enclosed **pink** postage prepaid envelope.

If the modifications directed by this notification were performed on your bus prior to the receipt of this recall notification, complete and sign the recall reply sheet and attached a copy of the work order/invoice. Mail the documents in the **pink** self-addressed postage paid envelope included with the recall notification to Blue Bird for warranty consideration. Reimbursements will be made in accordance with the requirements of the National Highway Transportation Safety Act, Title 49 Code of Federal Regulations, Parts 573 and 577.

Federal law requires that any vehicle lessor receiving this recall notice must forward a copy of this notice to the lessee within ten days.

If Blue Bird Body Company should fail to or is unable to remedy this condition without charge to you, you may contact:

**ADMINISTRATOR  
NATIONAL HIGHWAY TRAFFIC SAFETY ADMINISTRATION  
1200 NEW JERSEY AVENUE, SE  
WASHINGTON, D.C. 20590**

Or, you may call The National Highway Traffic Safety Administration toll free at:

1-888-327-4236  
TTY 1-800-424-9153

Or, go to: [HTTP://WWW.SAFERCAR.GOV](http://WWW.SAFERCAR.GOV)

Questions regarding this recall campaign should be directed to me at (478) 822-2242.

Thank you,



Bill Coleman  
Corporate Recall Administrator  
**BLUE BIRD CORPORATION**



# Hydraulic Brake Hoses **RECALL**

**MODELS AFFECTED:** All BBCV Blue Bird Visions with Hydraulic Brakes.

## ISSUE

Primary and Secondary Hydraulic Brake Hoses from the Master Cylinder to the steel lines may come in contact with adjacent components, causing chaff and possible leakage.

## CORRECTIVE ACTION

Inspect the Primary and Secondary Hydraulic Hoses from the Master Cylinder to the steel lines under the driver's platform for chaffing. If chaffed, replace the lines and bleed the brakes.

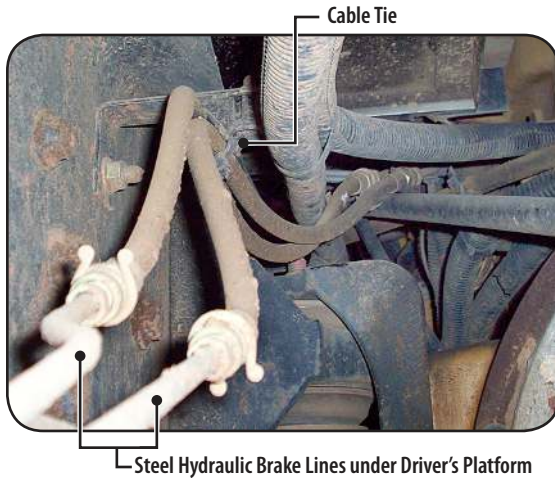
**WARNING** Always follow all Federal, State, Local, and Shop safety standards and use proper safety equipment when performing these procedures.

## PROCEDURE FOR 2004 THROUGH 2005 MODEL YEAR BUSES

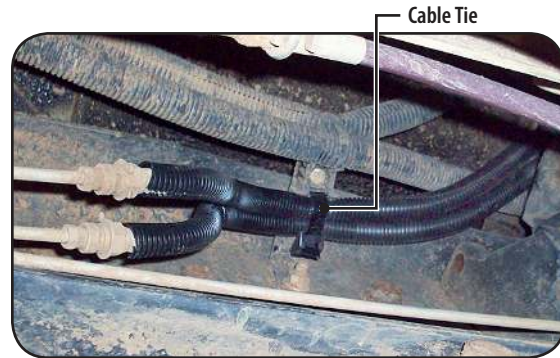
- 1** Park vehicle on level surface, apply parking brake, remove ignition key and chock wheels.
- 2** Disconnect the batteries.
- 3** Under the bus, inside the drivers side frame rail, locate the rubber hydraulic brake hoses that connect the steel lines from the master cylinder to the steel lines under the driver's platform.

- 4** Install split loom over each hose. Cover entire length of hose from connector to connector on each end.

- 5** Install Cable Tie at the the original bracket.



Viewed from under the bus



Viewed from under the bus

Remove the cable tie and inspect both hydraulic brake hoses for chaffing. If the hose(s) are chaffed, replace hose(s). If hoses are not chaffed, proceed to Step 4.

**WARNING** If a hose(s) is replaced and/or the hose(s) have been disconnected from either end of the steel tubing, brakes **MUST** be bled. Follow the Brake Bleeding instructions attached to this recall.

R08NB

S E R V I C E R E C A L L



**6** If the hoses or the steel lines from the master cylinder are contacting the transmission dipstick tube, with minimum pressure, bend the steel hydraulic brake tubes away from the transmission dipstick tube.

**7** After completing the procedure, re-connect batteries and place the bus back into service.

### PARTS LIST FOR 2004 THROUGH 2005 MODEL YEAR

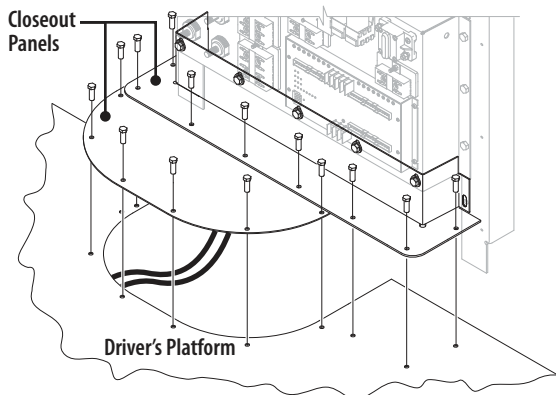
PART NUMBER	QUANTITY	DESCRIPTION
0029998	1 per bus	Cable Tie, 0.5 wide X 20.00 inches long
0946533	2 @ 20" each	Loom, Corrugated, Black, Nylon, 7/16 Inside
0058109	As required	Hose Assy., Brake, Primary and Secondary, 21.00"

### PROCEDURE FOR 2006 THROUGH 2009 MODEL YEAR BUSES

**1** Park vehicle on level surface, apply parking brake, remove ignition key and chock wheels.

**2** Disconnect the batteries.

**3** On the inside of the bus, remove the Closeout Panels.



**4** Under the closeout panel, on the drivers side, locate the rubber hydraulic brake hoses that connect the steel lines from the master cylinder to the steel lines under the drivers platform.

**5** Remove all the cable ties from transmission dipstick tube and inspect both hydraulic brake hoses for chaffing. If the hose(s) are chaffed, replace hose(s).

**WARNING** If a hose(s) is replaced and/or the hose(s) have been disconnected from either end of the steel tubing, brakes **MUST** be bled. Follow the Brake Bleeding instructions attached to this recall.

**6** If hoses are not chaffed or new hose(s) have been installed, install split loom over each hose. Cover entire length of hose from connector to connector on each end.

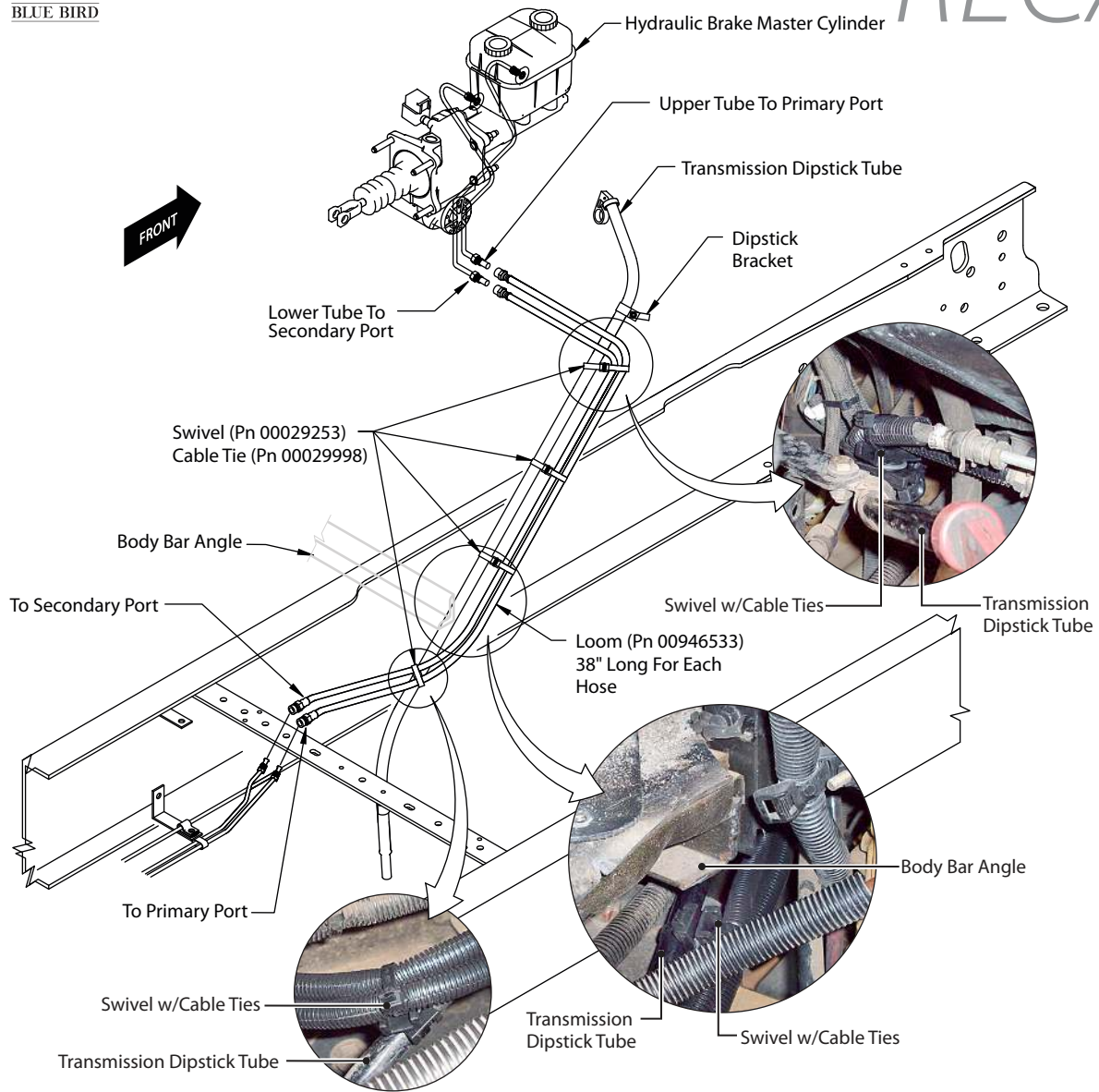
**7** Attach four swivels to the dipstick tube at locations shown in illustration on page 3.

**8** Reroute the hoses to the side of the dipstick tube to achieve the maximum amount of clearance at the body bar angle to chassis floor connection. Attach the hoses to the swivels with cable ties.

**9** After completing the procedure, re-connect batteries and place the bus back into service.

### PARTS LIST FOR 2006 THROUGH 2009 MODEL YEAR

PART NUMBER	QUANTITY	DESCRIPTION
0029253	4 per bus	Dual Swivel Saddle Mounts
0029998	4 per bus	Cable Tie, 0.5 wide X 20.00 inches long
0946533	2 @ 38" each	Loom, Corrugated, Black, Nylon, 7/16 Inside
0074327	As required	Hose Assy., Brake, Primary and Secondary, 39.00"



## PROCEDURE FOR BRAKE BLEEDING

- 1** Check the master cylinder reservoir and fill, if necessary, with DOT 3 or DOT 4 brake fluid..
- 2** Bleed brakes in the following order: right rear, left rear, right front, left front.
- 3** Each four-piston caliper is equipped with two bleeder screws. Loosen the inner bleeder screw (which is always on top) and purge the air. Tighten it loosely.
- 4** Open the outer bleeder screw and purge the air and tighten the bleeder screw to 9-12 lb-ft.
- 5** Now again open the inner bleeder screw and purge the air and tighten the bleeder screw to 9-12 lb-ft.
- 6** Repeat the procedure for all other brakes in the sequence specified in Step 2.
- 7** Test brakes prior to returning vehicle to service. A firm pedal should be felt during brake application.